

Vidyasagar College for Women

2020

NOTE: SEPARATE PDF FILES SHOULD BE MADE FOR PAPER II UNIT I AND II

Subject: ZOOA

Paper II, UNIT I

FM:50

Time: 1 hour

Answer any 10 questions from the following:

5x10=50

1. Write 2 differences between spermatogenesis and oogenesis.
2. What is resact?
3. What do you mean by fast block to polyspermy?
4. Mention the significance of fertilization.
5. Differentiate between holoblastic and meroblastic cleavage.
6. Differentiate between epiboly and emboly.
7. Write the functions of placenta.
8. Differentiate between deciduous and non-deciduous placenta.
9. Draw the fate map of chick blastula.
10. What is nonpermeating cryoprotectant?
11. What conclusion can you draw from Spemann - Mangold's experiment?
12. Define mesolecithal egg with example.
13. What is allantois? State its function.
14. What is Nieuwkoop center?
15. What is primitive streak?
16. Write any two applications of stem cell.

Vidyasagar College for Women

2020

NOTE: SEPARATE PDF FILES SHOULD BE MADE FOR PAPER II UNIT I AND II

Subject: ZOOA

Paper II, UNIT II

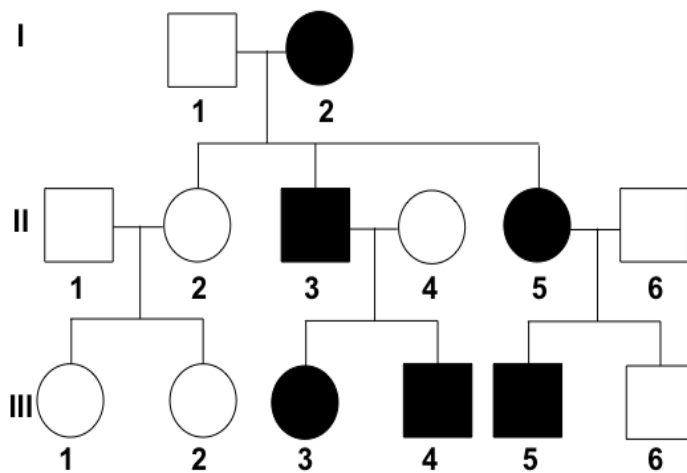
F.M – 50

Time – 1 hr

All questions are compulsory

1. Draw and label a neat diagram of **Female Reproductive System of Cockroach**. 10

2. Describe, analyse and identify the following trait of **Pedigree**. 10



3. Identify the following pictures marked as A, B, C with four characteristics features/
reasons of each. 10x3=30

